



**SP400C, SP460CJ,  
SR400C & SR460CJ**

**TELESCOPIC BOOM LIFTS**

**40 - 46 FEET**

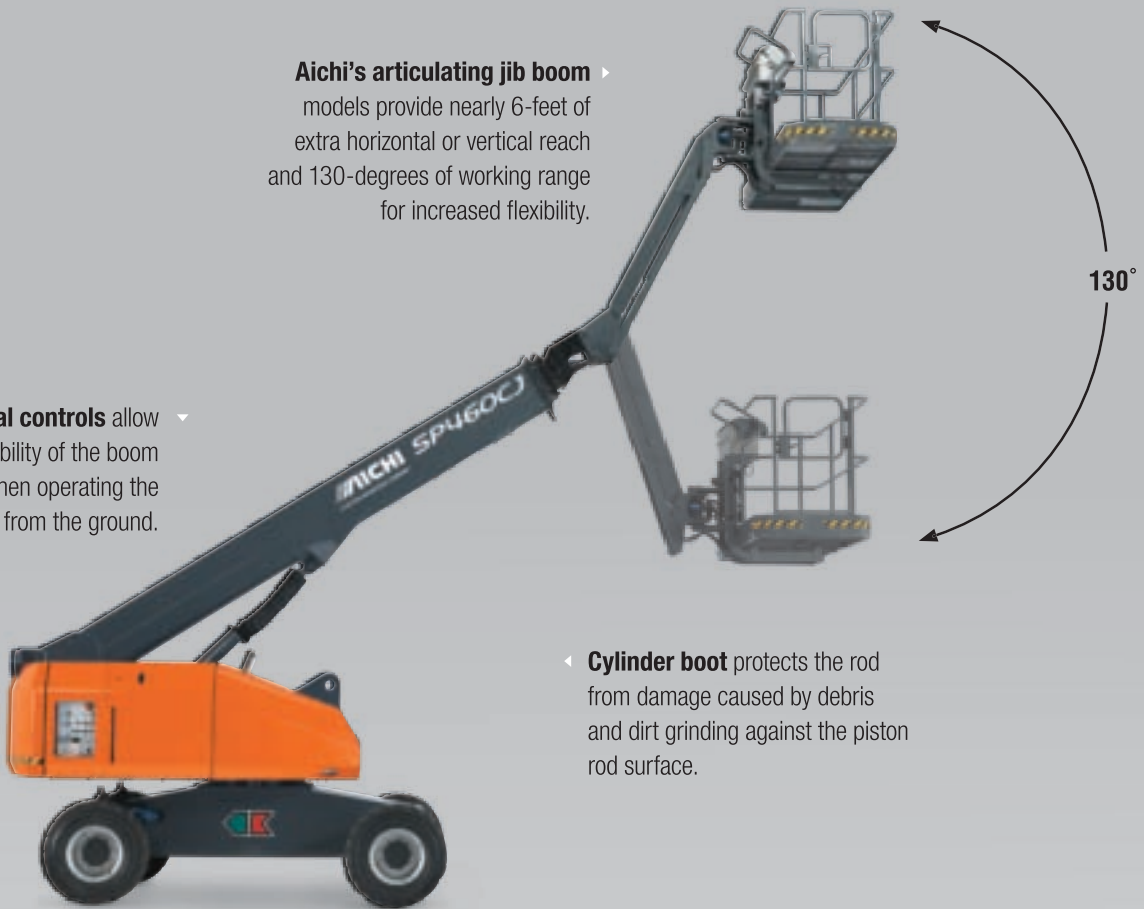
## PERFORMANCE

- ▶ **Proportional control system** provides smooth and precise positioning of the unit and basket in the most critical of areas.
- ▶ **The 8-foot long basket** is self leveling through its full range of motion and rotates a full 180-degrees for maximized maneuverability without repositioning the boom.
- ▶ **An extra large 32-gallon fuel tank** is featured on all Aichi boom models to provide more productivity throughout the work day.
- ▶ **The high ground clearance and exceptional gradeability** allows the Aichi boom lift models to go where no other boom lift will.
- ▶ **3-speed drive system** with high speed, torque and turtle modes allows exceptional performance on any surface.
- ▶ **Aichi boom lifts** are designed with a unique 3-stage telescopic reach mechanism which maximizes horizontal outreach and boom stowed position, providing a wide working range. The compact size provides exceptional maneuverability and effective transportability.



**Aichi's articulating jib boom** ▶ models provide nearly 6-feet of extra horizontal or vertical reach and 130-degrees of working range for increased flexibility.

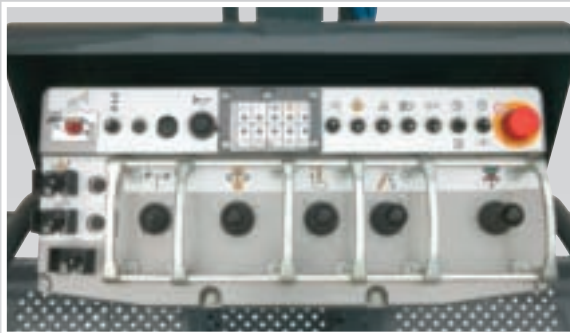
**Side external controls** allow ▼ for better visibility of the boom and basket when operating the equipment from the ground.



▶ **Cylinder boot** protects the rod from damage caused by debris and dirt grinding against the piston rod surface.

## PLATFORM CONTROL PANELS

### WHEELED BOOM LIFT



▶ **Ergonomically designed platform controls** are simple to use and well protected. Features rugged hand grips, which also serve as protection to the joystick controls.

### CRAWLER BOOM LIFT



▶ **Dual steering joysticks** allow easy positioning of the unit and zero turning radius. A lockable steel control panel cover is standard on all models to limit damage and unauthorized use of the equipment.



## SERVICEABILITY

- ▶ **Hydraulic hoses and electrical cables** are fully protected within Aichi's exclusive Boom Cartridge System, which provides unmatched serviceability access.



- ▶ **The hydraulic lines** are fully protected by being routed through the chassis.



- ▶ **All hosing and lines** to the basket and jib are protected by covers and placed out of impact areas to keep downtime to a minimum while allowing easy service access.



- ▶ **Engine swing out system** makes servicing the engine simple by allowing easy access to all sides of the engine.

## DURABILITY

- ▶ **A harsh environment package** featuring wipers on the boom sections, boots on the cylinders and protection on pivots and bearing points is standard on all Aichi boom lifts.
- ▶ **One-piece steel crawler drive chassis** allows for an extremely rugged and stable drive platform designed for the harsh environments the SR-Series will encounter.
- ▶ **The internal hosing cartridge** is fully protected from external impacts and damage caused by adverse weather conditions.
- ▶ **Large hoods with heavy-duty locking hatches** provide significant protection to the engine, plumbing and electrical system. The hoods open fully to maximize serviceability access.
- ▶ **The oversized turntable and worm drive gear system** allow a very fine degree of control, while limiting play in the mechanism and decreasing wear on the system.
- ▶ **Durable covers** protect all hosing from potential impact damage by keeping exposure to a minimum.

**Steel tracks** handle most terrain with confidence. Adding the rubber track pad option allows the unit to travel on paved surfaces with minimum damage.



# AICHI 2-3-5 Warranty

As the market leader in Japan, Aichi builds on the Toyota reputation for quality, durability and reliability by offering high value and innovative products with one of the best manufacturer's warranty available today.

## THE AICHI WARRANTY

2-year basic

3-year hydraulic

5-year structural

## COMPETITORS' WARRANTIES

1-year basic

2-year hydraulic

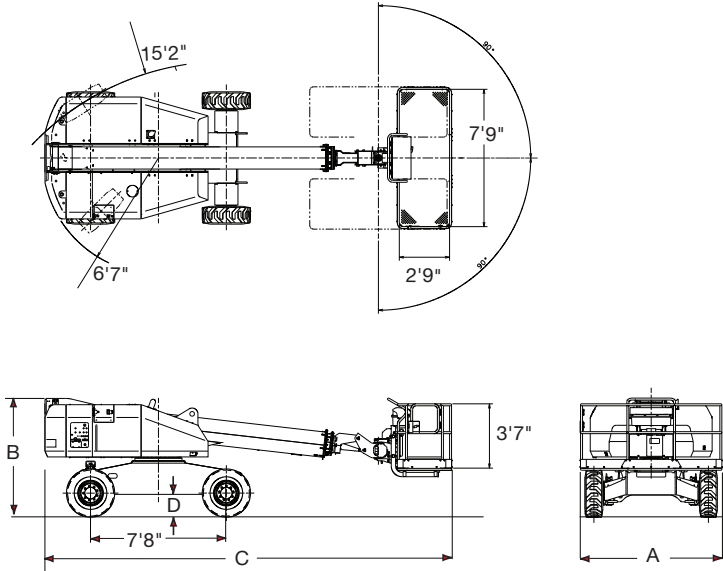
2 to 5 year structural

**2.3.5**  
YEAR YEAR YEAR  
**WARRANTY**

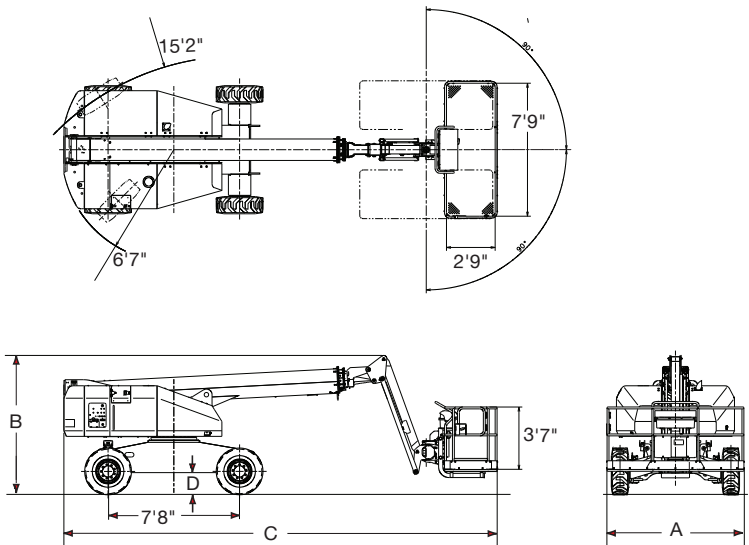


## DIMENSIONS

### SP400C

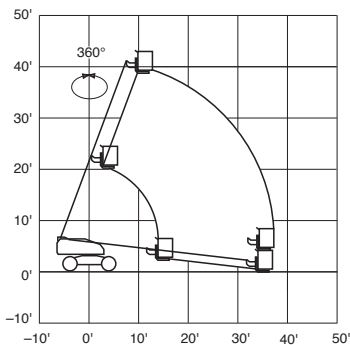


### SP460CJ

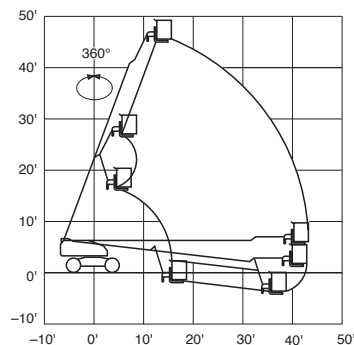


## WORKING RANGE

### SP400C

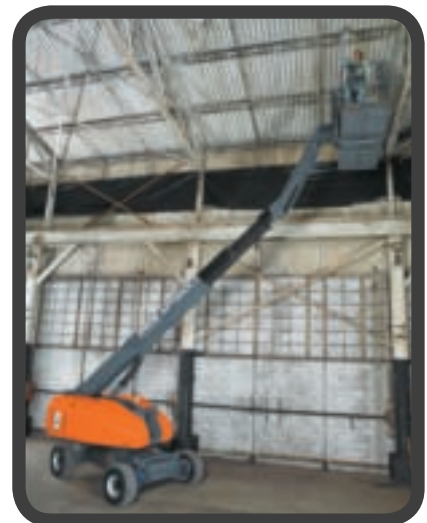


### SP460CJ



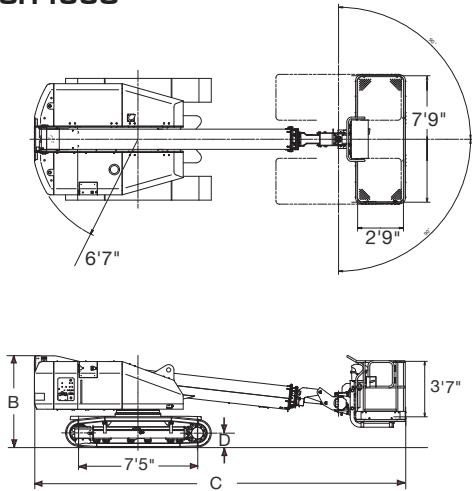
## SPECIFICATIONS

MODEL		
Model	SP400C	SP460CJ
BASKET		
Basket Capacity	6'	550 lbs
	8'	500 lbs
Basket Height	39'4"	45'7"
Horizontal Outreach	35'9"	41'8"
Basket Size (L x W x H)	6'	6' x 2'8" x 3'7"
	8'	8' x 2'10" x 3'7"
Basket Rotation	180°	
BOOM		
Type	3-Stage Synchronized Telescopic Action	
Boom Length	17'6" (retracted) / 37' (extended)	
Full Extension Time	30 sec	
Full Retraction Time	25 sec	
Full Elevation Time	45 sec	
Boom Angle Range	-7° to 70°	
JIB ARTICULATION		
Length	-	5'9"
Articulating Angle Range	-	-70° to 60°
Full Elevation Time	-	25 sec
Full Lowering Time	-	20 sec
ROTATION		
Turntable Rotation	360°	
Full Rotation Time	80 sec	
TRAVEL PERFORMANCE		
Speed (Max)	4.5 mph (Stowed) / 0.8 mph (Elevated)	
Gradeability	44.5%	
Axle Oscillation (Stowed)	3.6"	
DIMENSION		
A Overall Width	8'0"	
B Overall Height	6'7"	8'0"
C Overall Length	22'6"	24'10"
D Ground Clearance	1'1"	
Vehicle Weight	15,465 lbs	17,460 lbs
POWER SYSTEM		
Engine	Yanmar 4TNV88 (Diesel)	
Drive System	4WD Hydraulic	
Rated Horsepower	44 hp	
Fuel Tank Capacity	32 gal	
Hydraulic Tank Capacity	50 gal	
OPTIONAL EQUIPMENT		
6' Basket, Flashing Beacon, Platform Working Light, Headlights & Remote Control		

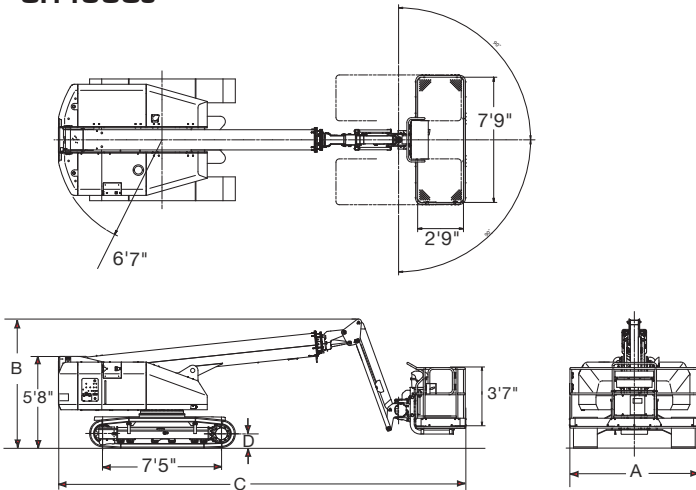


## DIMENSIONS

### SR400C

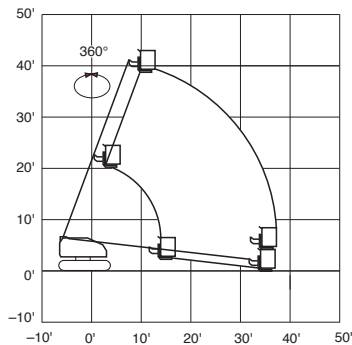


### SR460CJ

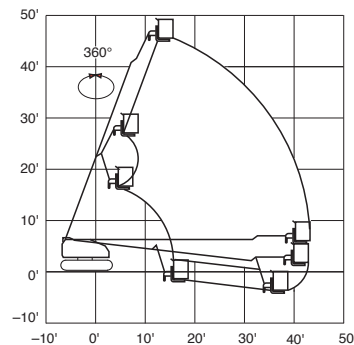


## WORKING RANGE

### SR400C



### SR460CJ



## SPECIFICATIONS

MODEL		
Model	SR400C	SR460CJ
BASKET		
Basket Capacity	6'	550 lbs
	8'	500 lbs
Basket Height	38'4"	44'7"
Horizontal Outreach	35'9"	41'8"
Basket Size (L x W x H)	6'	6' x 2'8" x 3'7"
	8'	8' x 2'10" x 3'7"
Basket Rotation	180°	
BOOM		
Type	3-Stage Synchronized Telescopic Action	
Boom Length	17'6" (retracted) / 37' (extended)	
Full Extension Time	30 sec	
Full Retraction Time	25 sec	
Full Elevation Time	45 sec	
Boom Angle Range	-7° to 70°	
JIB ARTICULATION		
Length	-	5'9"
Articulating Angle Range	-	-70° to 60°
Full Elevation Time	-	25 sec
Full Lowering Time	-	20 sec
ROTATION		
Turntable Rotation	360°	
Full Rotation Time	80 sec	
TRAVEL PERFORMANCE		
Speed (Max)	1.6 mph (Stowed) / 0.5 mph (Elevated)	
Gradeability	57.5%	
DIMENSION		
A Overall Width	8'0"	
B Overall Height	5'8"	8'0"
C Overall Length	22'6"	24'10"
D Ground Clearance	1'1"	
Vehicle Weight	16,920 lbs	18,762 lbs
POWER SYSTEM		
Engine	Yanmar 4TNV88 (Diesel)	
Rated Horsepower	44 hp	
Fuel Tank Capacity	32 gal	
Hydraulic Tank Capacity	50 gal	
OPTIONAL EQUIPMENT		
6' Basket, Flashing Beacon, Platform Working Light, Headlights & Remote Control		

**ICHI**  
A TOYOTA INDUSTRIES COMPANY