

NACHI
A TOYOTA INDUSTRIES COMPANY



SV1530C, SV1930C, SV2032C,
SV2632C, SV2646C & SV3246C

SCISSOR LIFTS

15-32 FEET

PERFORMANCE

- ▶ **An exclusive brushless AC drive system** is featured on all Aichi SV electric scissor lifts to provide leading performance with minimum service requirements. This industry-first drive system features no directional contactors to maintain and has run times up to 1.5 times greater than DC or hydraulic based systems.
- ▶ **The compact steer system** allows for a full 90-degree turning angle, giving the SV-Series a very tight turning radius.
- ▶ **An extra long 39-inch extension platform** allows the operator to work a larger area to increase productivity without moving the unit.
- ▶ **While descending a slope,** the SV-Series keeps the speed of the unit at a constant rate to improve handling and control.
- ▶ **Fold down hand rails** are easily collapsed by simply removing 4-pins to fit through narrow aisles and doorways. Unlike the competition, there is no need to remove the control box (models SV1530C, SV1930C and SV2632C only).
- ▶ **An optional proportional steering system** is featured on the SV-Series offering steering wheel style control and auto-centering steering system. This allows a wide range of operators to become quickly familiar with operating the unit.

- ▶ **The SV-Series** features one of the lowest stowed heights of all models in the industry. The fold down handrail system includes a spring loaded entry gate.





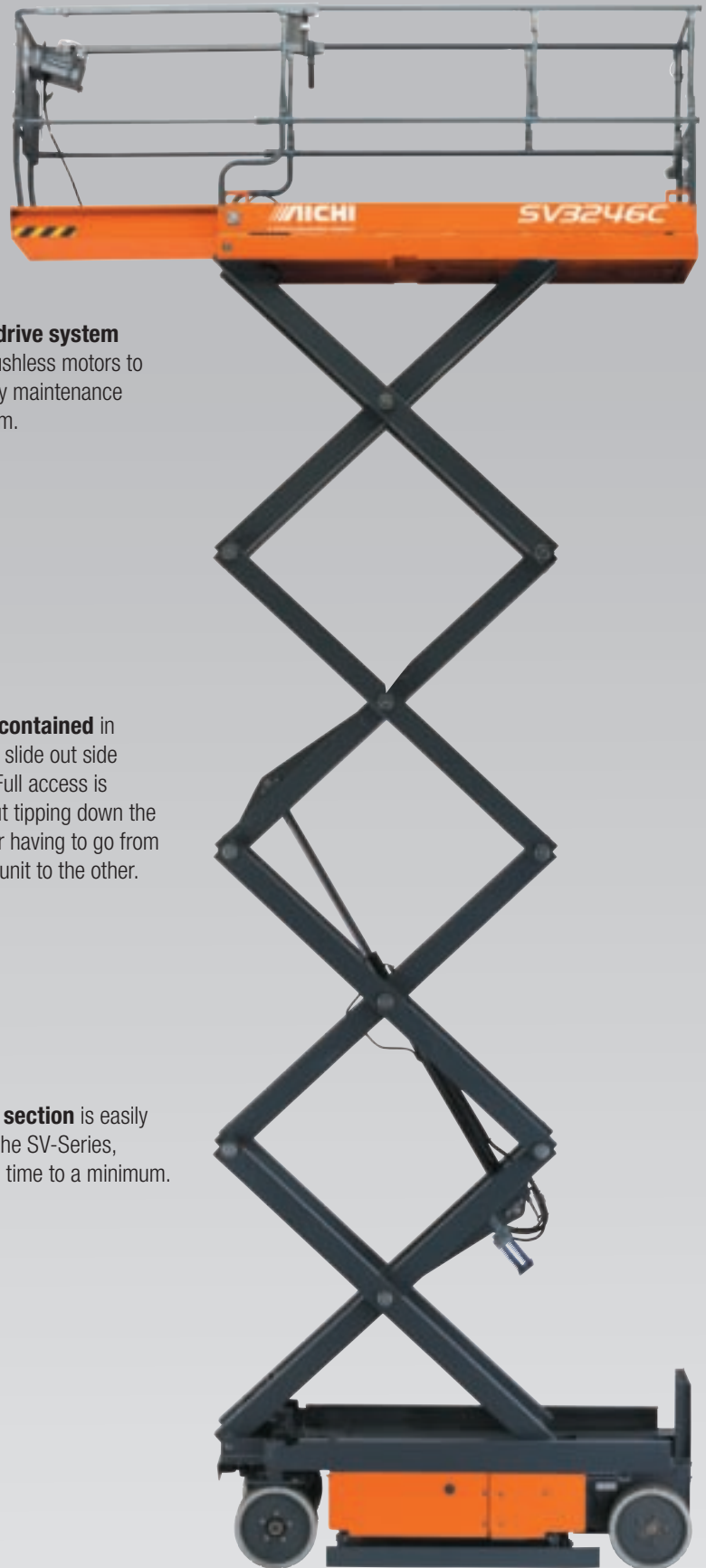
DURABILITY

- ▶ **The SV-Series** features all steel construction of both the chassis and the platform.
- ▶ **The platform features** heavy wall round tubing for the platform rails to provide a very strong rail system.
- ▶ **End caps** are found in all tube ends and the lower sections have nylon bushings to allow easy extension of the deck.
- ▶ **All items such as cords and plugs** are routed to limit damage from driving the unit, keeping repairs to a minimum.



- ◀ **Recessed lower control panel** provides easy control of the unit while providing protection from damage.

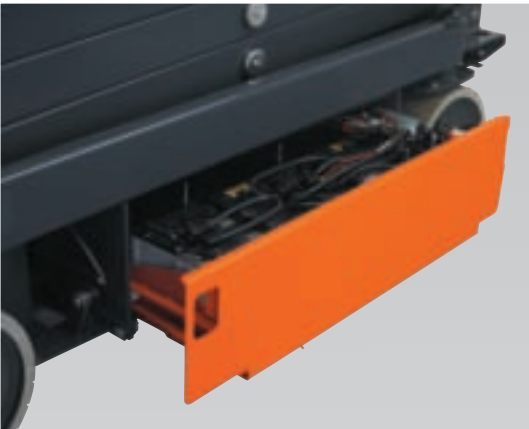
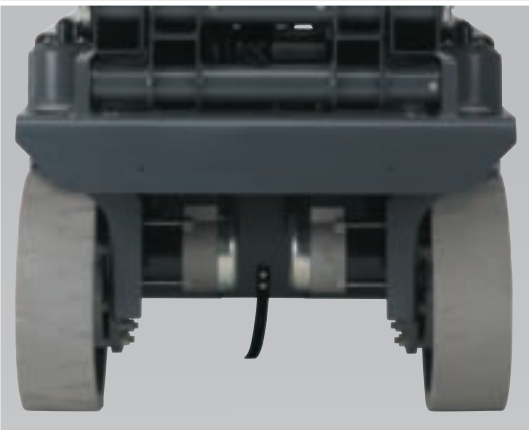
SERVICEABILITY



◀ **The Aichi AC drive system** features AC Brushless motors to create a virtually maintenance free drive system.

◀ **Batteries are contained** in a single easy to slide out side compartment. Full access is provided without tipping down the compartment or having to go from one side of the unit to the other.

◀ **The hydraulic section** is easily accessed with the SV-Series, keeping service time to a minimum.



AICHI 2-3-5 Warranty

As the market leader in Japan, Aichi builds on the Toyota reputation for quality, durability and reliability by offering high value and innovative products with one of the best manufacturer's warranty available today.

THE AICHI WARRANTY

2-year basic

3-year hydraulic

5-year structural

COMPETITORS' WARRANTIES

1-year basic

2-year hydraulic

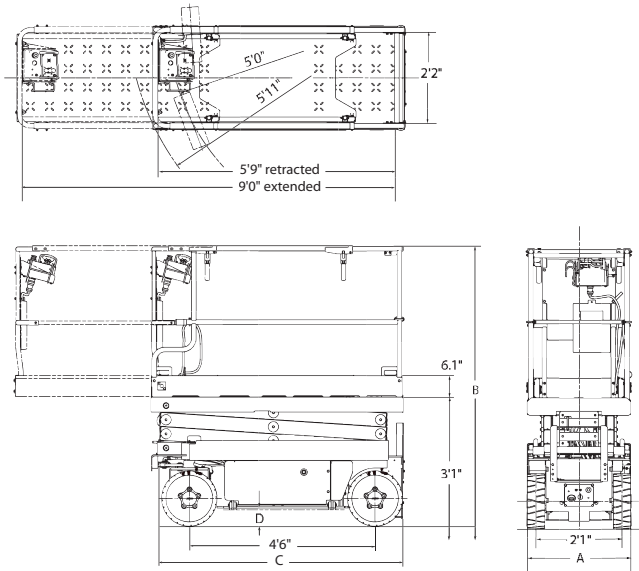
2 to 5 year structural

2.3.5
YEAR YEAR YEAR
WARRANTY

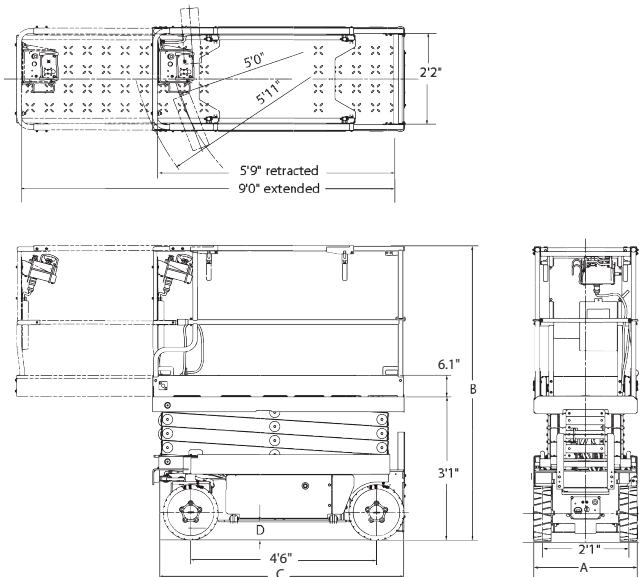


DIMENSIONS

SV1530C



SV1930C



SPECIFICATIONS

MODEL

Model	SV1530C	SV1930C
-------	---------	---------

PLATFORM

Platform Capacity	600 lbs	500 lbs
Platform Extension	3'3"	
Platform Height - Elevated	15'1"	19'1"
Platform Height - Lowered	3'1"	3'6"
Platform Size (L x W x H)	5'9" x 2'2" x 3'7"	

LIFT & LOWER SYSTEM

Type	3-Stage Scissor Link	4-Stage Scissor Link
Lifting / Lowering Time	25 sec	30 sec

POWER SYSTEM

Voltage	24V
Drive System	Brushless AC Motors

TRAVEL PERFORMANCE

Speed (Max)	2.8 mph (Stowed) / 0.5 mph (Elevated)
Gradeability	25%
Tire Type	Solid

DIMENSIONS

A Overall Width	2'6"	
B Overall Height	6'8"	7'1"
C Overall Length	6'1"	
D Ground Clearance	5.2" (Stowed) / 0.75" (Elevated)	
Vehicle Weight	3,165 lbs	3,318 lbs

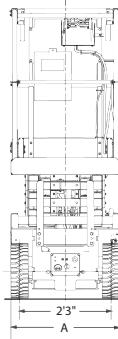
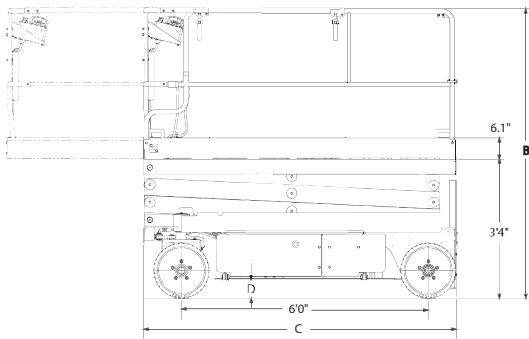
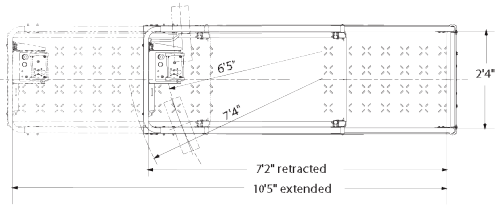
OPTIONAL EQUIPMENT

Proportional Steering, Fixed Handrails, Lifting Kit & Flashing Beacon

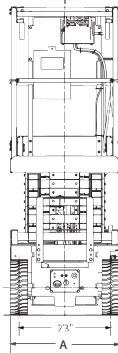
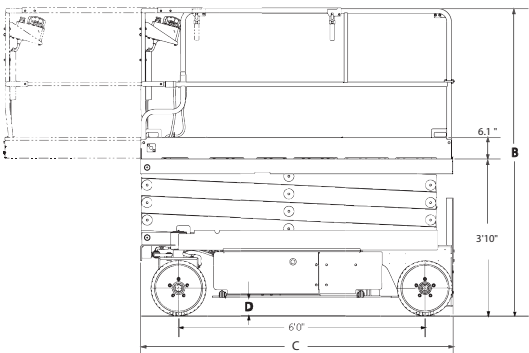
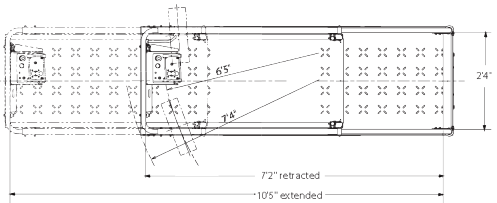


DIMENSIONS

SV2032C



SV2632C



SPECIFICATIONS

MODEL

Model	SV2032C	SV2632C
-------	---------	---------

PLATFORM

Platform Capacity	800 lbs	500 lbs
Platform Extension	3'3"	
Platform Height - Elevated	20'	25'6"
Platform Height - Lowered	3'4"	3'10"
Platform Size (L x W x H)	7'2" x 2'4" x 3'7"	

LIFT & LOWER SYSTEM

Type	3-Stage Scissor Link	4-Stage Scissor Link
Lifting / Lowering Time	30 sec	40 sec

POWER SYSTEM

Voltage	24V
Drive System	Brushless AC Motors

TRAVEL PERFORMANCE

Speed (Max)	2.8 mph (Stowed) / 0.5 mph (Elevated)
Gradeability	25%
Tire Type	Solid

DIMENSIONS

A	Overall Width	2'8"
B	Overall Height	6'11" / 7'5"
C	Overall Length	7'6"
D	Ground Clearance	4.4" (Stowed) / 0.6" (Elevated)
	Vehicle Weight	3,814 lbs / 4,542 lbs

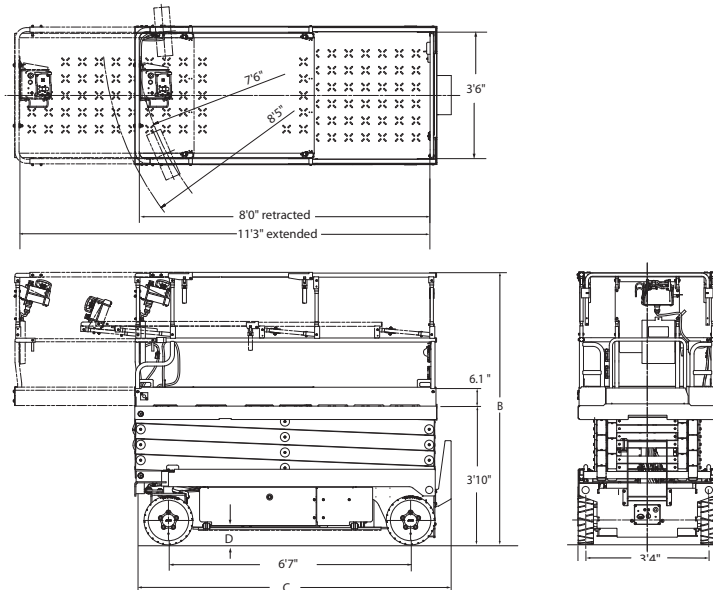
OPTIONAL EQUIPMENT

Proportional Steering, Fold Down Handrail, Lifting Kit & Flashing Beacon

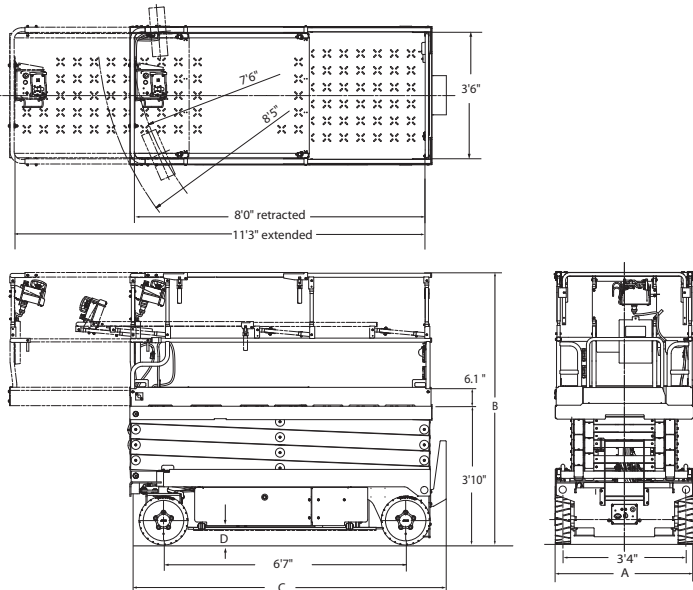


DIMENSIONS

SV2646C



SV3246C



SPECIFICATIONS

MODEL

Model	SV2646C	SV3246C
-------	---------	---------

PLATFORM

Platform Capacity	1000 lbs ¹	
Platform Extension	3'3"	
Platform Height - Elevated	26"	31'4"
Platform Height - Lowered	3'10"	
Platform Size (L x W x H)	8'0" x 3'6" x 3'7"	

LIFT & LOWER SYSTEM

Type	4-Stage Scissor Link	
Lifting / Lowering Time	50 sec / 40 sec	60 sec / 50 sec

POWER SYSTEM

Voltage	24V	
Drive System	Brushless AC Motors	

TRAVEL PERFORMANCE

Speed (Max)	2.2 mph (Stowed) / 0.5 mph (Elevated)	
Gradeability	25%	
Tire Type	Solid	

DIMENSIONS

A Overall Width	3'10"	
B Overall Height	7'4"	
C Overall Length	8'8"	
D Ground Clearance	5.1" (Stowed) / 0.75" (Elevated)	
Vehicle Weight	4,960 lbs	5,401 lbs

OPTIONAL EQUIPMENT

Proportional Steering, Fold Down Handrail, Lifting Kit & Flashing Beacon

1. For SV3246C model the platform capacity is 700 lbs above 26 ft.



MICHI

A TOYOTA INDUSTRIES COMPANY